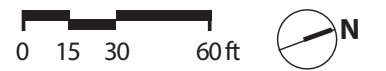




STREET PLAN





SITE PLAN: OPTION 1 - Long Path with 3 Seating Areas and Children's Play





SITE PLAN: OPTION 1A - Long Path with Expanded Granite Seat Blocks and No Children's Play



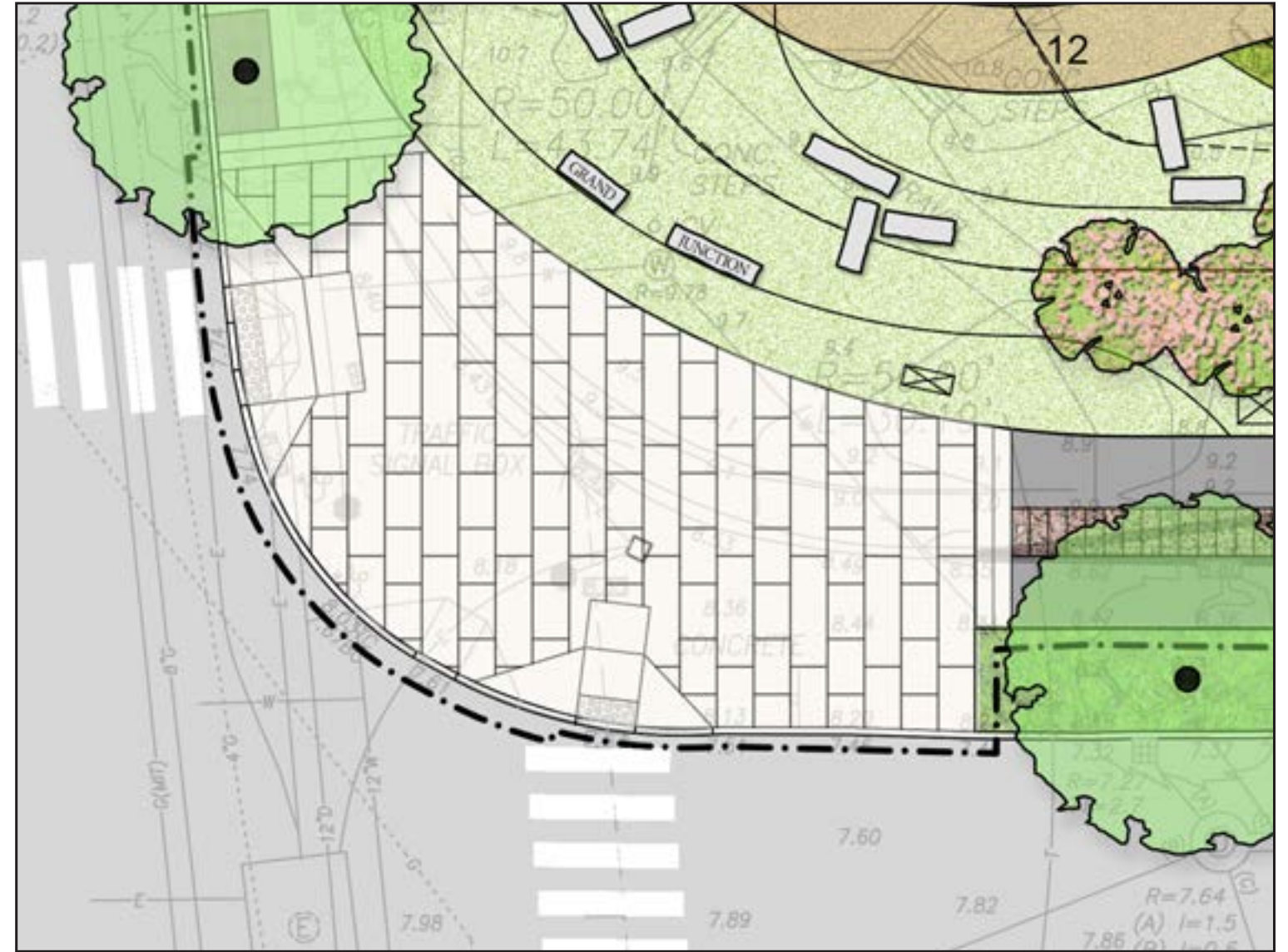


SITE PLAN: OPTION 2 - Short Path with 2 Seating Areas





A: Diagonal Pattern



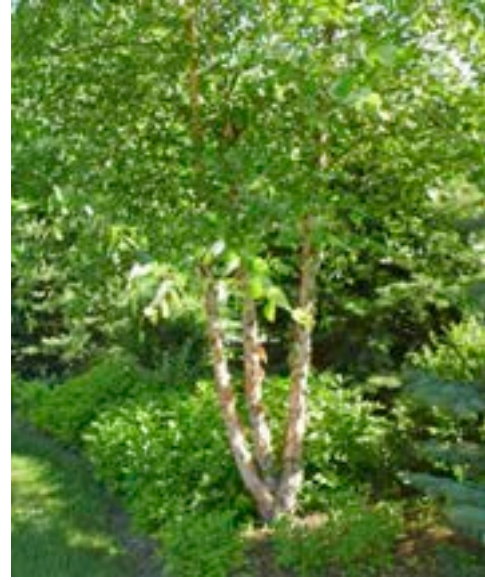
B: Orthogonal Pattern

ENLARGED PAVEMENT OPTIONS AT PEDESTRIAN INTERSECTIONS

Trees, Shrubs and Screening Plants



Thornless Honeylocust
Gleditsia triacanthos var. inermis



River Birch
Betula nigra



Serviceberry
Amelanchier x grandiflora



Bayberry
Myrica pensylvanica



Virginia Creeper
Parthenocissus quinquefolia

Groundcover, Grasses and Perennials



Creeping Lilyturf
Liriope spicata



Knock Out Rose
Rosa 'Radrazz'



Feather Reed Grass
Calamagrostis x acutiflora



Ivory Halo Dogwood
Cornus alba 'Bailhalo'



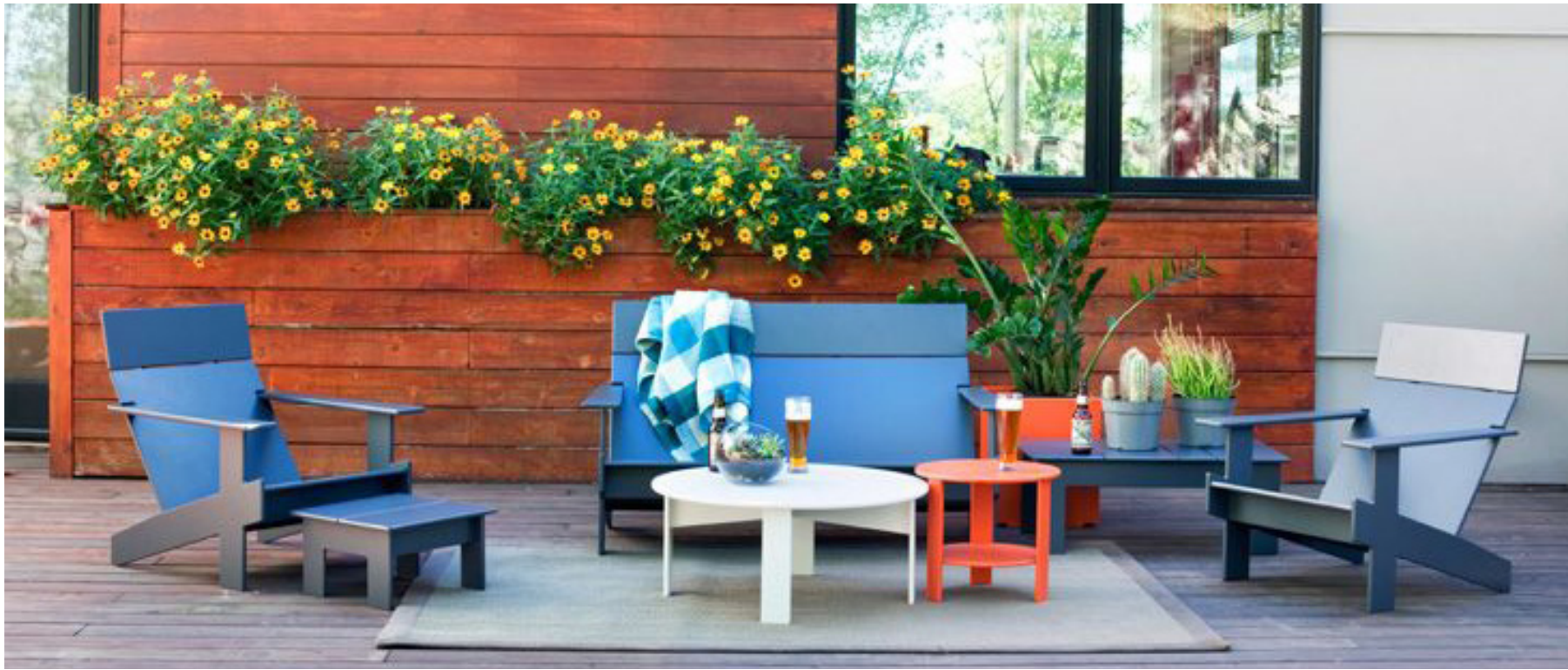
Fragrant Sumac
Rhus aromatica 'Gro-Low'

PLANTING PALETTE



SALVAGED GRANITE BLOCKS

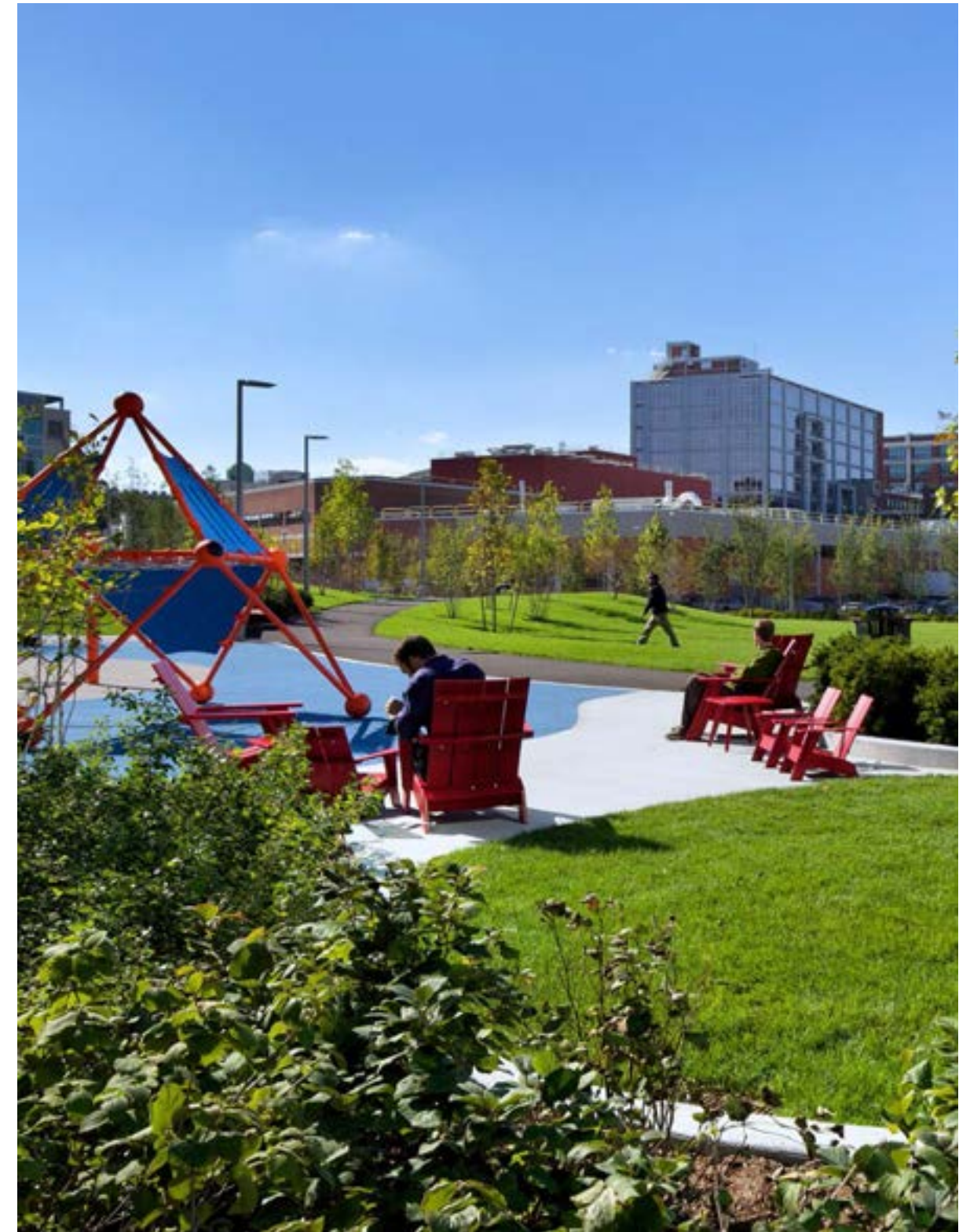




Loll Chair, Double Chair, and Square Table

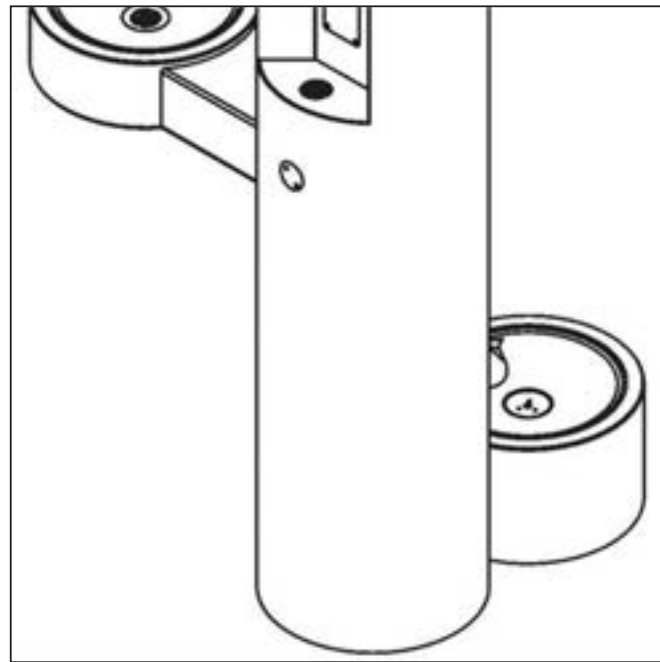


Play Spinner Option on Play Surface

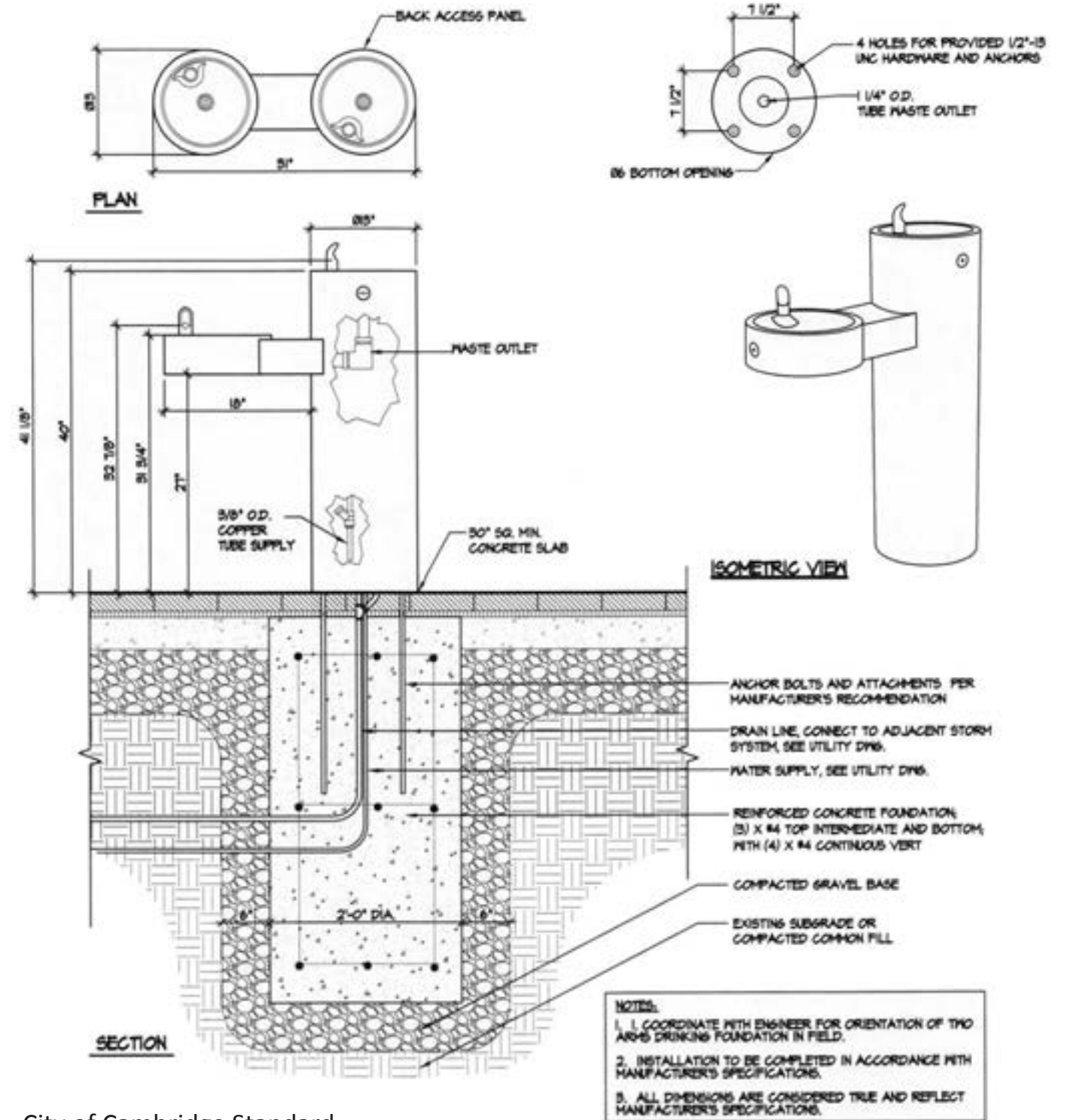




Markstaar Fountain with Bottle Filler
(Available in Stainless Steel Finish)



Pet Fountain Option Available



City of Cambridge Standard
Drinking Fountain Detail

DRINKING FOUNTAIN WITH STAINLESS STEEL FINISH