

EAST WEST CONNECTOR CHILDREN'S PLAYGROUND

Cambridge, Massachusetts

August 31, 2022

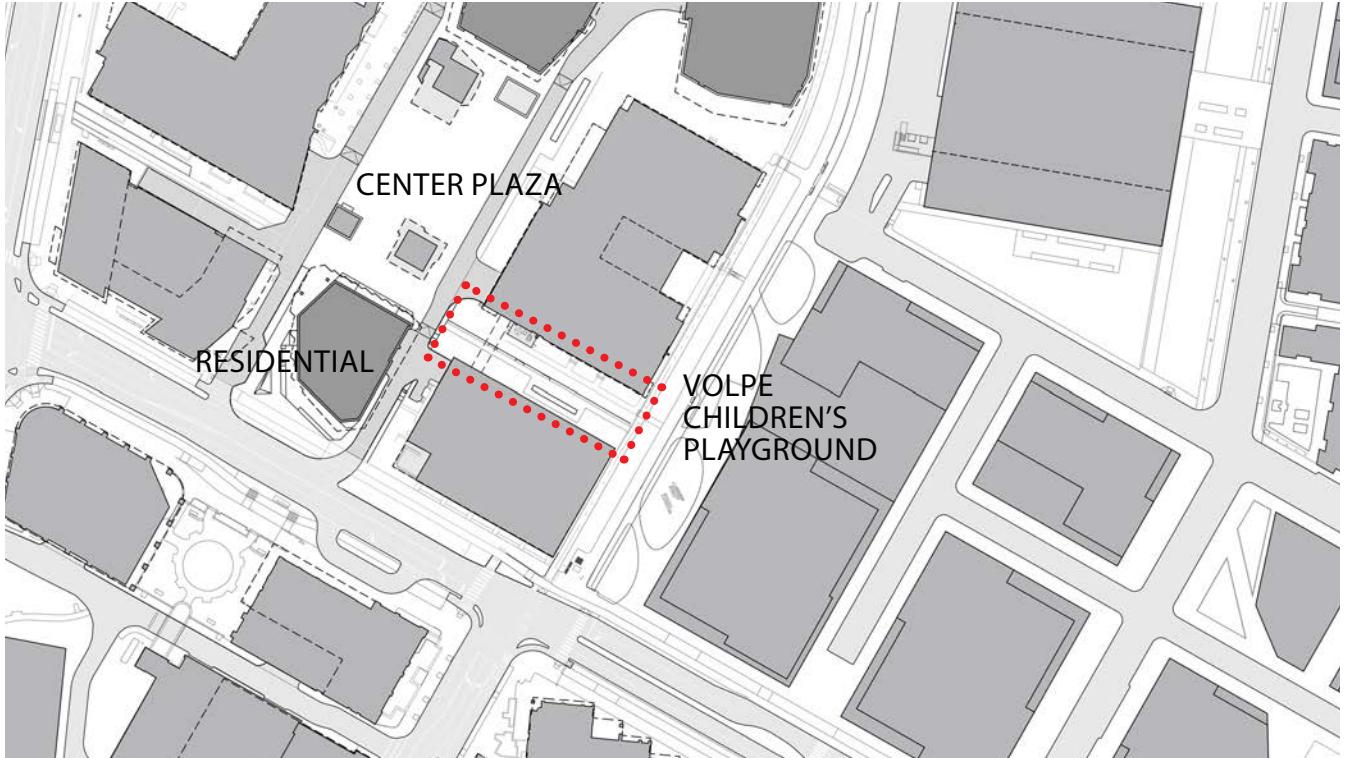
1.1 TABLE OF CONTENTS

EAST WEST CONNECTOR

- East West Connector Context
- Site Plan Option One
- Site Plan Grading
- Hardscape
- Planting
- Lighting
- Site Plan Option Two
- Children's Play Products
- Children's Playground Renderings



EAST WEST CONNECTOR CONTEXT



VOLPE CHILDREN'S PLAYGROUND ALONG 6TH STREET CONNECTOR



VOLPE CHILDREN'S PLAYGROUND ALONG 6TH STREET CONNECTOR

THE EAST WEST CONNECTOR WILL SERVE AS A LINKAGE BETWEEN THE CENTER PLAZA AND OPEN SPACE IMPROVEMENTS AT THE VOLPE SITE. THE VOLPE SITE HAS PLANNED FOR CHILDREN'S PLAYGROUND ALONG THE 6TH STREET CONNECTOR THEREFORE OPEN SPACE PROGRAMMING WITHIN THE EAST WEST CONNECTOR WOULD SERVE AS A PROGRAM UNIFIER.

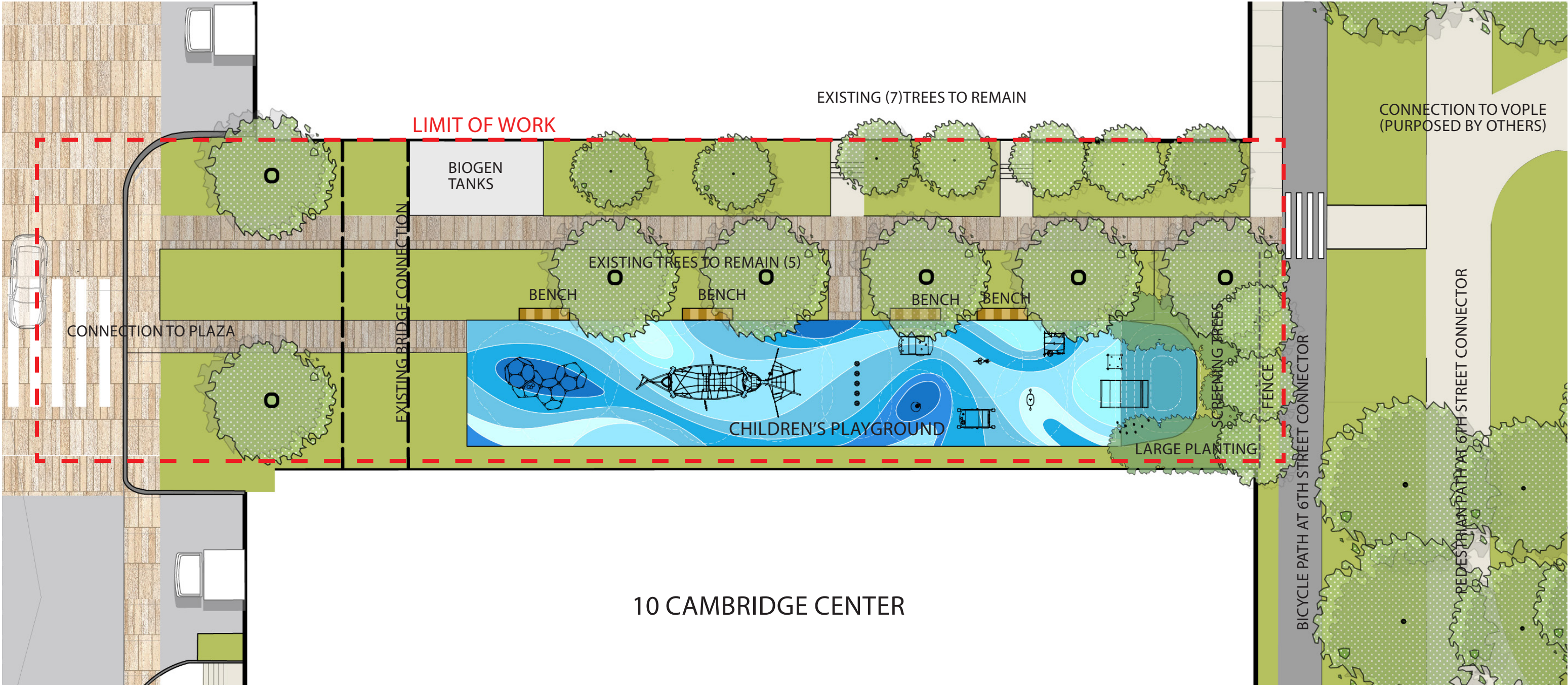


VOLPE CHILDREN'S PLAYGROUND ALONG 6TH STREET CONNECTOR

SITE PLAN

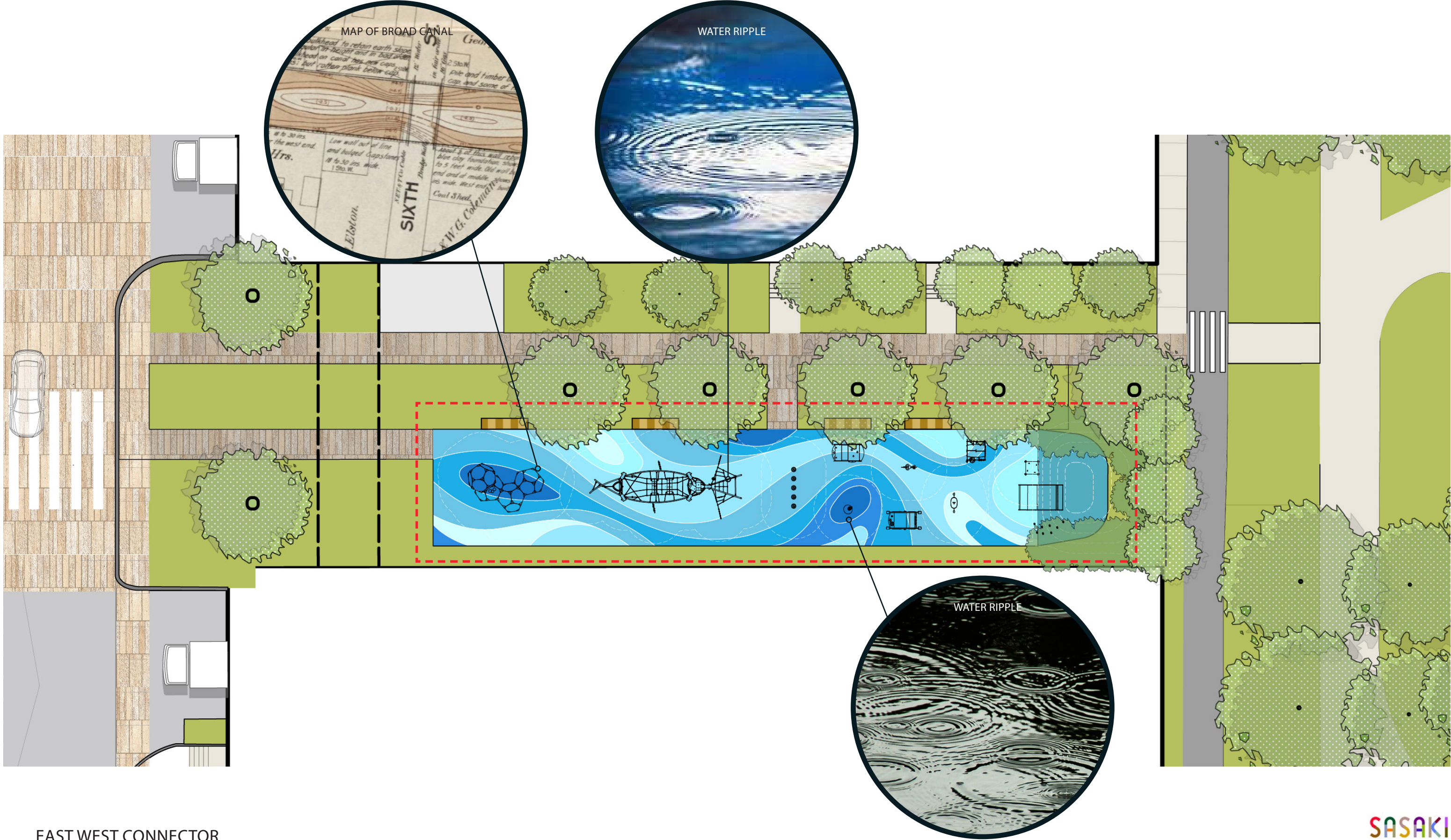
- NOTES:
- 1) PLAY STRUCTURE TO BE CONFIRMED WITH EXISTING UTILITIES RELATED TO FOUNDATIONS
 - 2) NEW SIDEWALKS TO BE INSTALLED WHILE MAKING MINIMUM IMPACTS TO EXISTING TREES.
 - 3) PLAY STRUCTURE IS AN EXTENSION OF CHILDREN'S PLAYGROUND AT THE VOLPE SITE.

12 CAMBRIDGE CENTER



10 CAMBRIDGE CENTER

SITE PLAN - PAVING PATTERN WATER MOTIF



CHILDREN'S PLAYGROUND



CHILDREN'S PLAYGROUND



CHILDREN'S PLAYGROUND

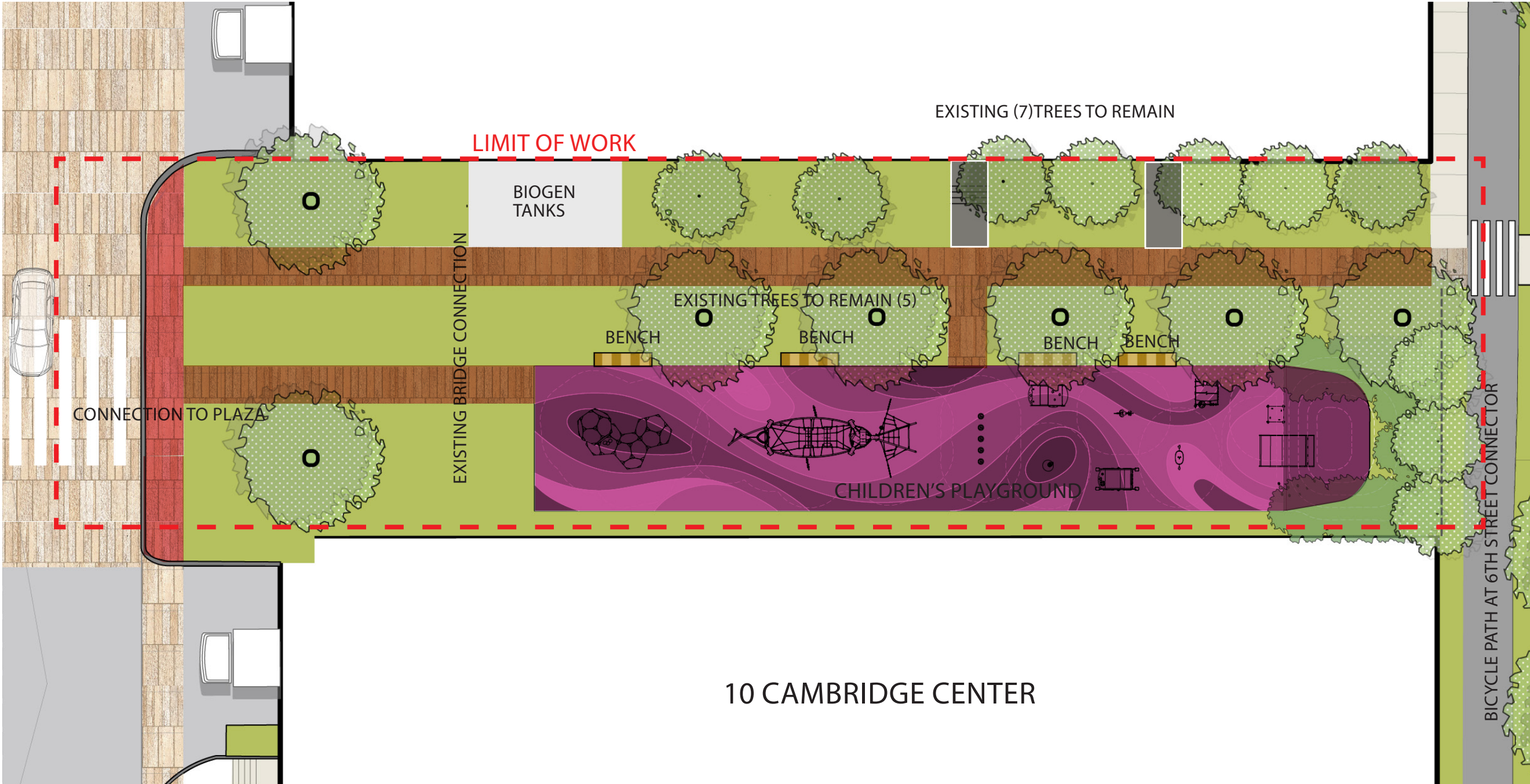


SITE PLAN - HARDSCAPE

NOTES:

- 1) PLAY STRUCTURE TO BE CONFIRMED WITH EXISTING UTILITIES RELATED TO FOUNDATIONS
- 2) NEW SIDEWALKS TO BE INSTALLED WHILE MAKING MINIMUM IMPACTS TO EXISTING TREES.
- 3) PLAY STRUCTURE IS AN EXTENSION OF CHILDREN'S PLAY AT THE VOLPE SITE.

12 CAMBRIDGE CENTER



LEGEND

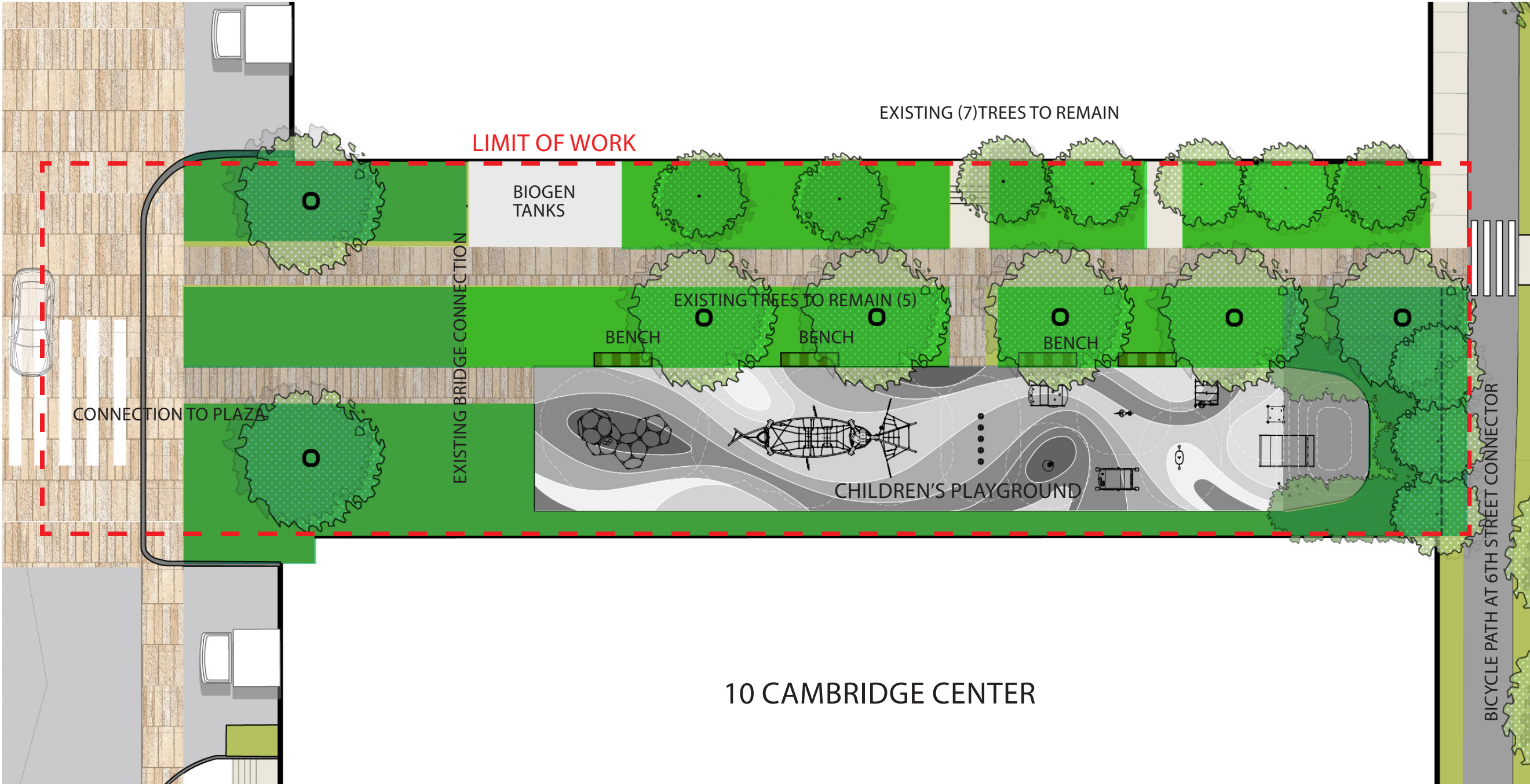
- TYPE I - CAST IN PLACE CONCRETE TO REMAIN OR BE REPLACED
- TYPE II - PAVING CONCRETE PAVERS
- TYPE III - PAVING PERMEABLE PAVERS
- TYPE IV - CHILDREN'S PLAY SURFACE BELOW STRUCTURE (PER RECOMMENDATION FROM PLAY MANUFACTURER)

10 CAMBRIDGE CENTER

SITE PLAN - PLANTING

- NOTES:
- 1) PLAY STRUCTURE TO BE CONFIRMED WITH EXISTING UTILITIES RELATED TO FOUNDATIONS
 - 2) NEW SIDEWALKS TO BE INSTALLED WHILE MAKING MINIMUM IMPACTS TO EXISTING TREES.
 - 3) PLAY STRUCTURE IS AN EXTENSION OF CHILDREN'S PLAY AT THE VOLPE SITE.

12 CAMBRIDGE CENTER



LEGEND

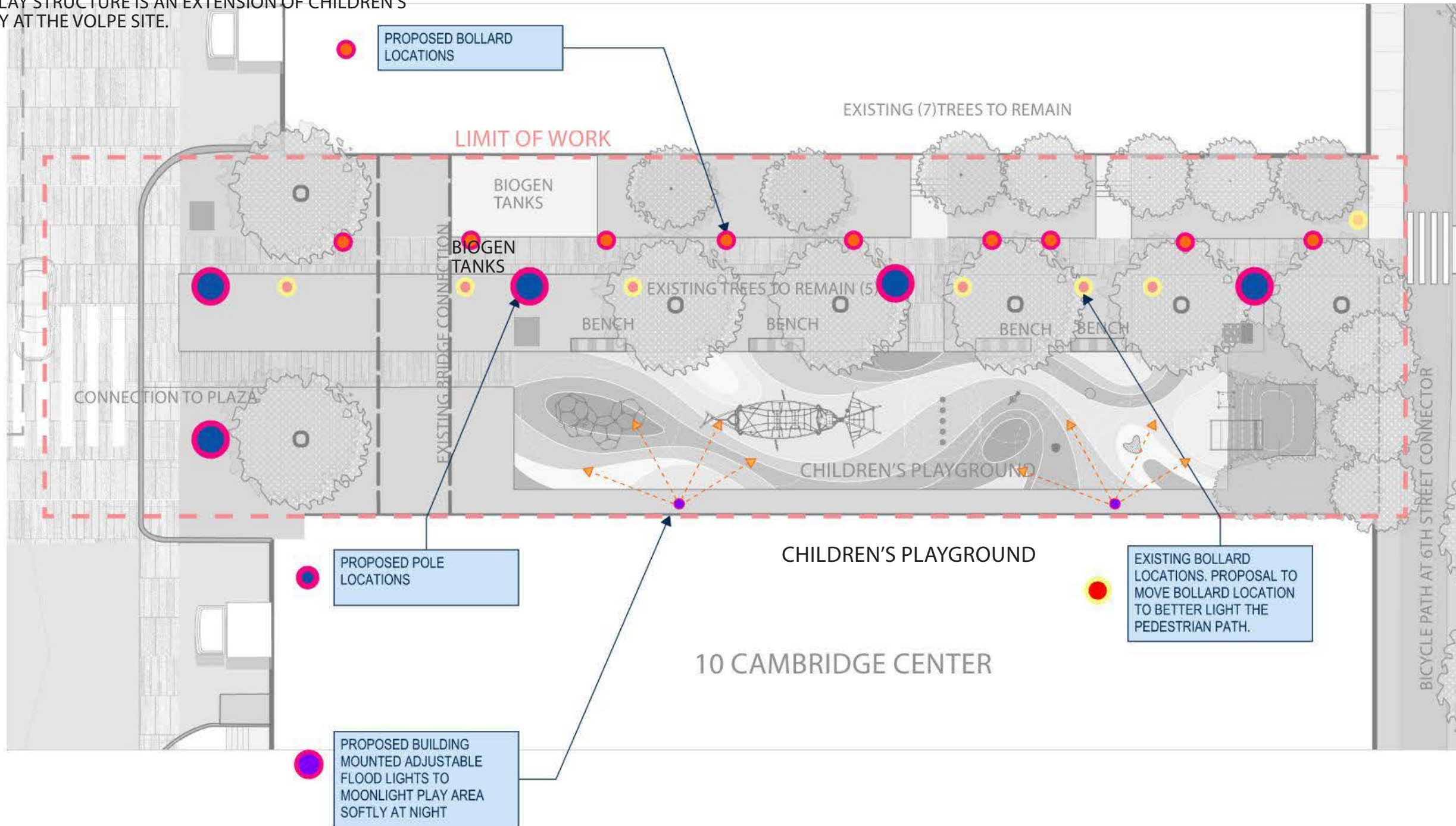
- TYPE I - INFILL SHRUB PLANTING AT GRADE WITH EXISTING ROOTS
- TYPE II - SHRUB PLANTING AT GRADE

10 CAMBRIDGE CENTER

SITE PLAN - LIGHTING

NOTES:

- 1) PLAY STRUCTURE TO BE CONFIRMED WITH EXISTING UTILITIES RELATED TO FOUNDATIONS
- 2) NEW SIDEWALKS TO BE INSTALLED WHILE MAKING MINIMUM IMPACTS TO EXISTING TREES.
- 3) PLAY STRUCTURE IS AN EXTENSION OF CHILDREN'S PLAY AT THE VOLPE SITE.



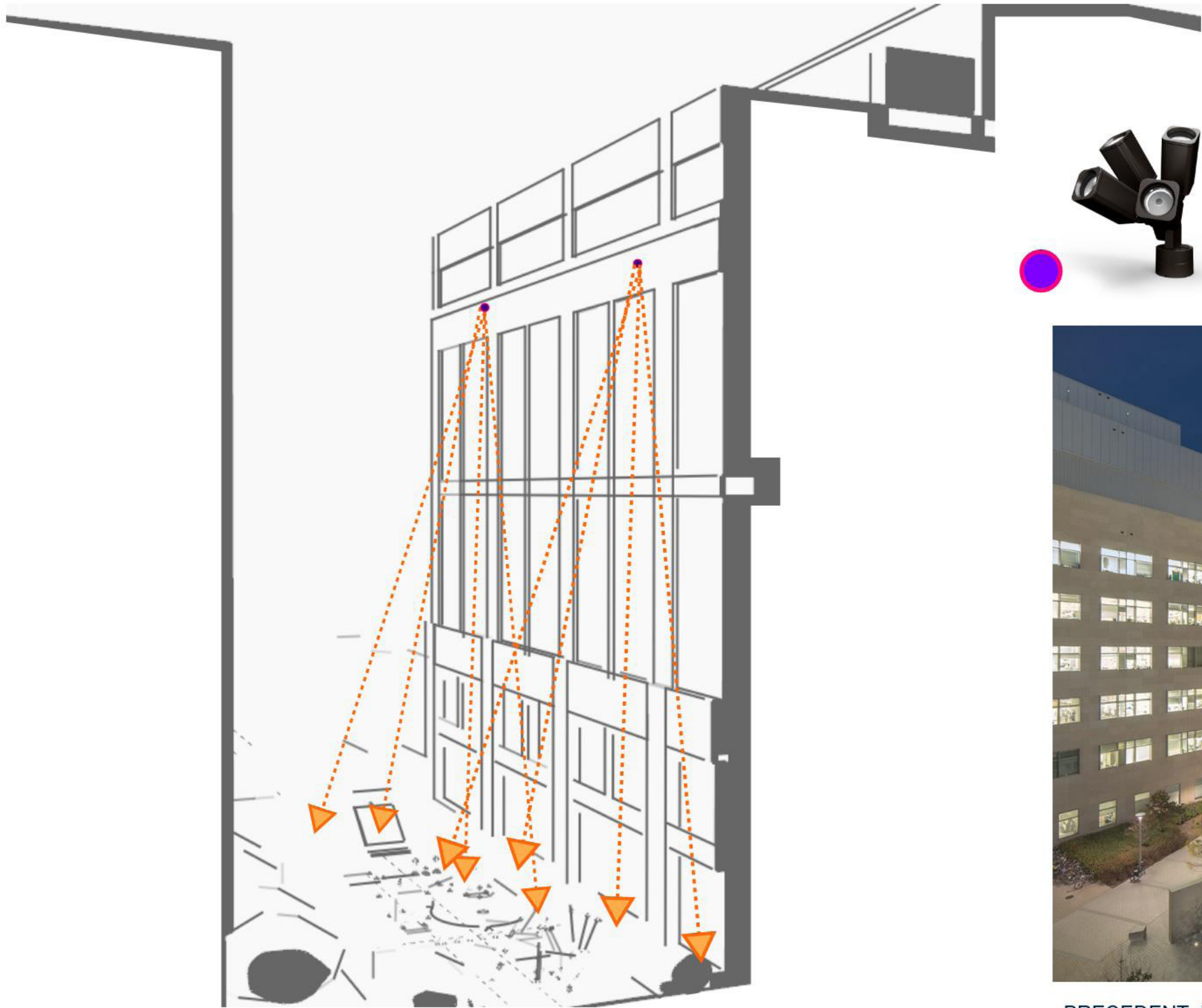
TYPE 1 - Bollards with forward throw optics to light the pedestrian pathway and provide safe passage



TYPE 2 - Pedestrian Poles to match the existing poles on the north side of the center plaza



TYPE 3 - Building mounted lights to softly light the play area at night to increase the overall brightness of the connector



Discrete building mounted, multi-head light to moonlight the play area



PRECEDENT: Building-mounted moonlighting at MIT's Sean Collier Memorial



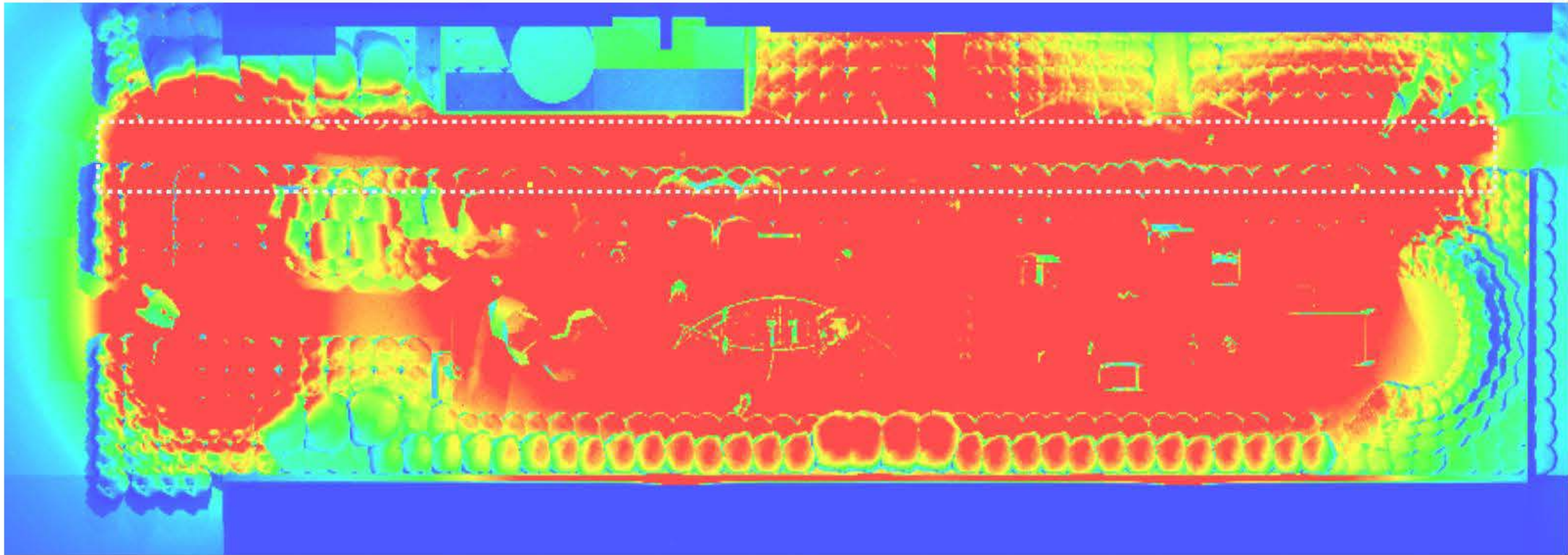
TYPE 1 - Bollards with forward throw optics to light the pedestrian pathway and provide safe passage



TYPE 2 - Pedestrian Poles to match the existing poles on the north side of the center plaza



TYPE 3 - Building mounted lights to softly light the play area at night to increase the overall brightness of the connector



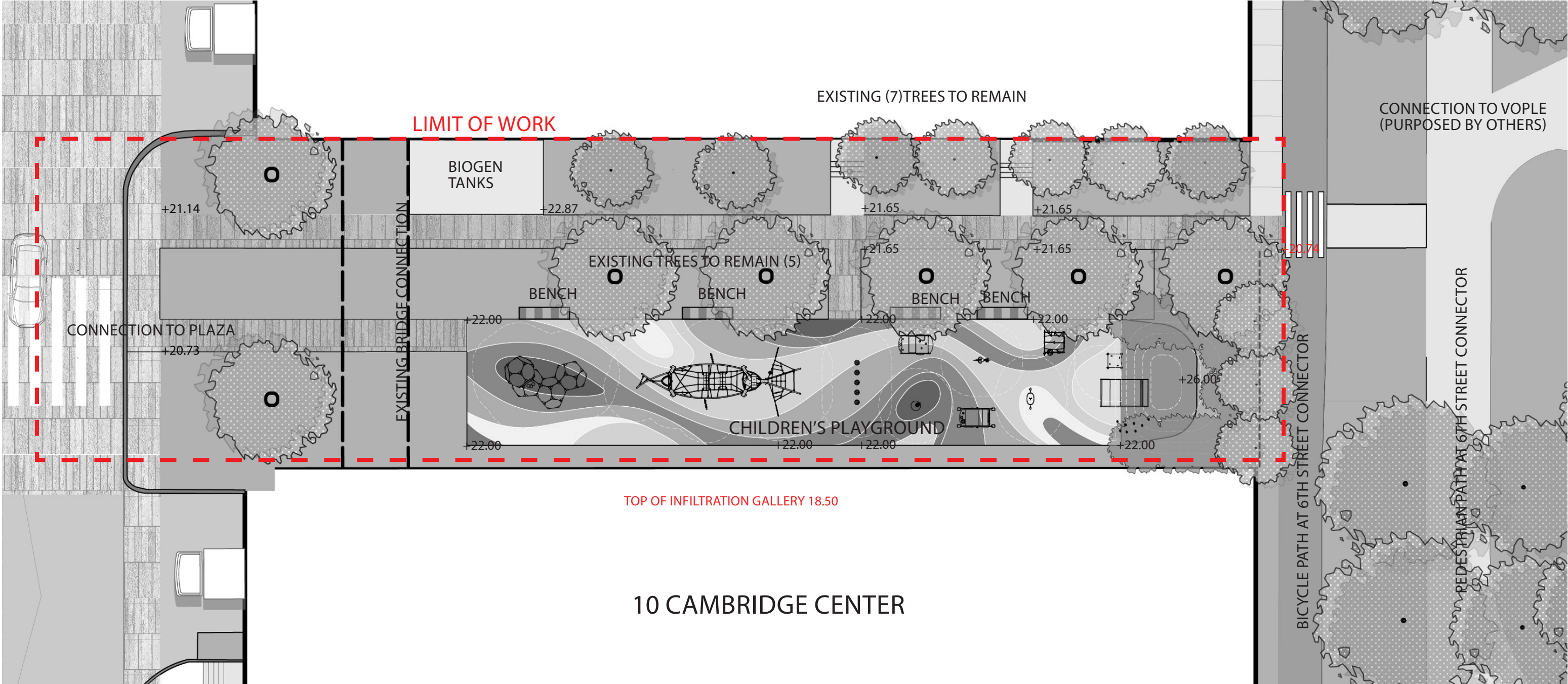
1FC MAXIMUM PROVIDES SUFFICIENT ILLUMINATION OF THE PEDESTRIAN PATH

SITE PLAN GRADING

NOTES:

- 1) PLAY STRUCTURE TO BE CONFIRMED WITH EXISTING UTILITIES RELATED TO FOUNDATIONS
- 2) NEW SIDEWALKS TO BE INSTALLED WHILE MAKING MINIMUM IMPACTS TO EXISTING TREES.
- 3) PLAY STRUCTURE IS AN EXTENSION OF CHILDREN'S PLAYGROUND AT THE VOLPE SITE.

12 CAMBRIDGE CENTER

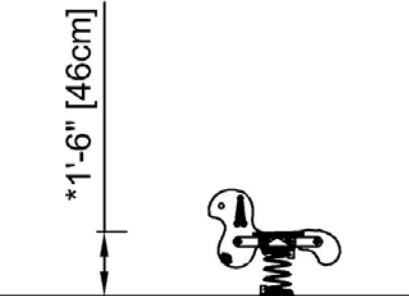
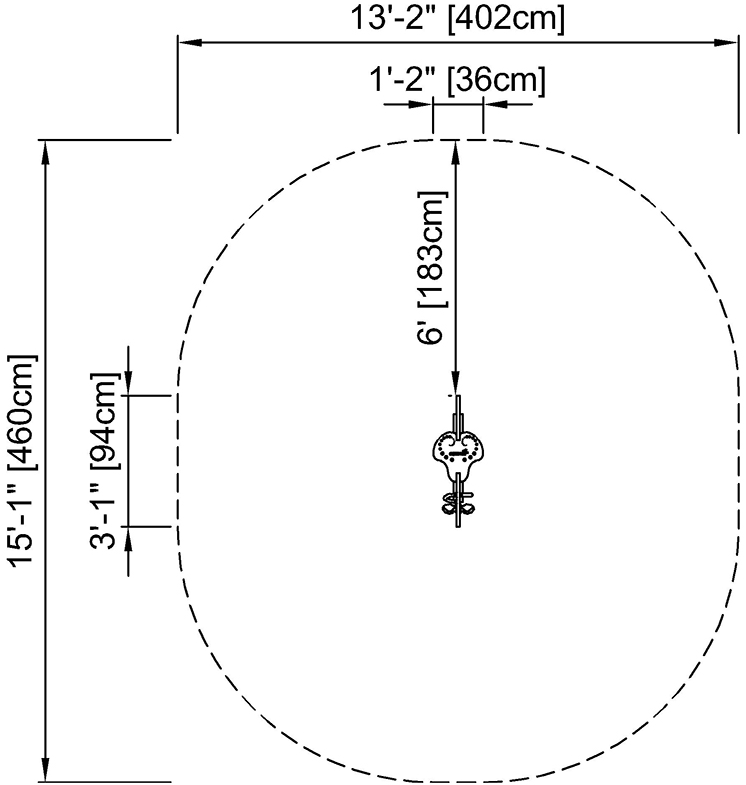


10 CAMBRIDGE CENTER

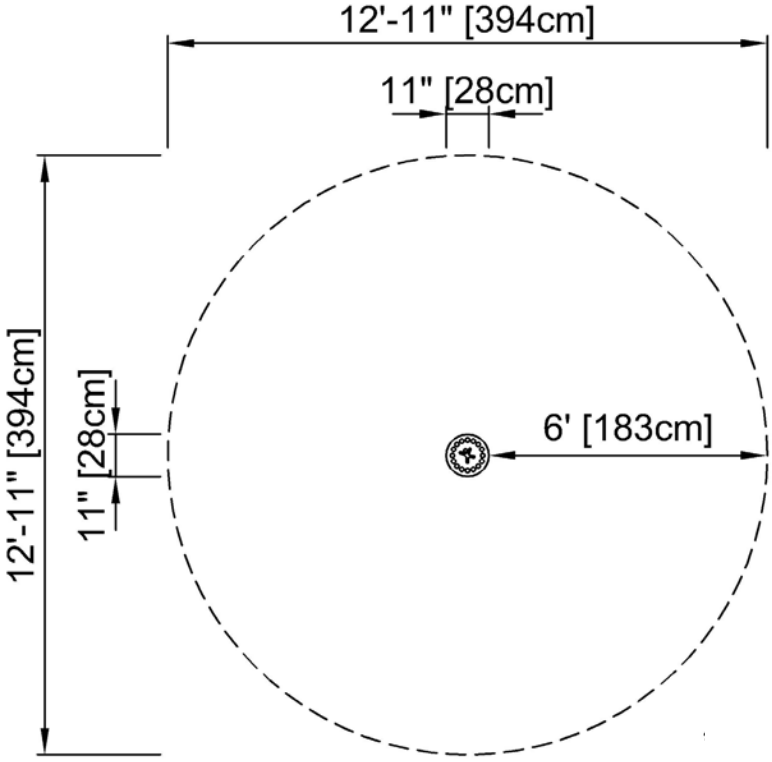
CHILDREN'S PLAY PRODUCTS



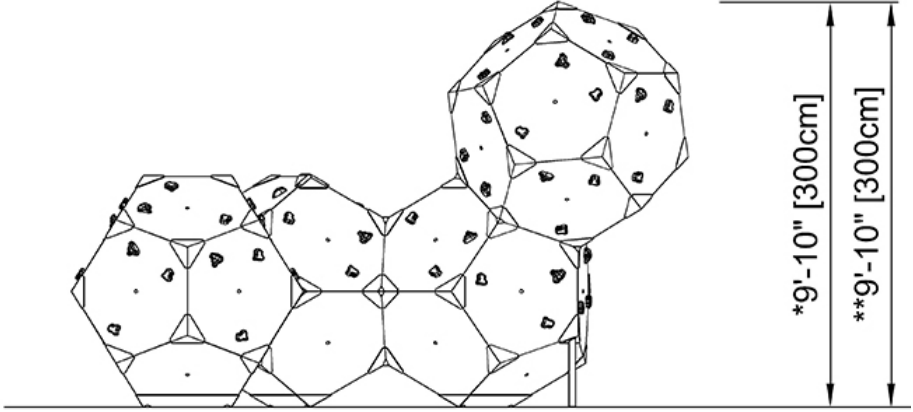
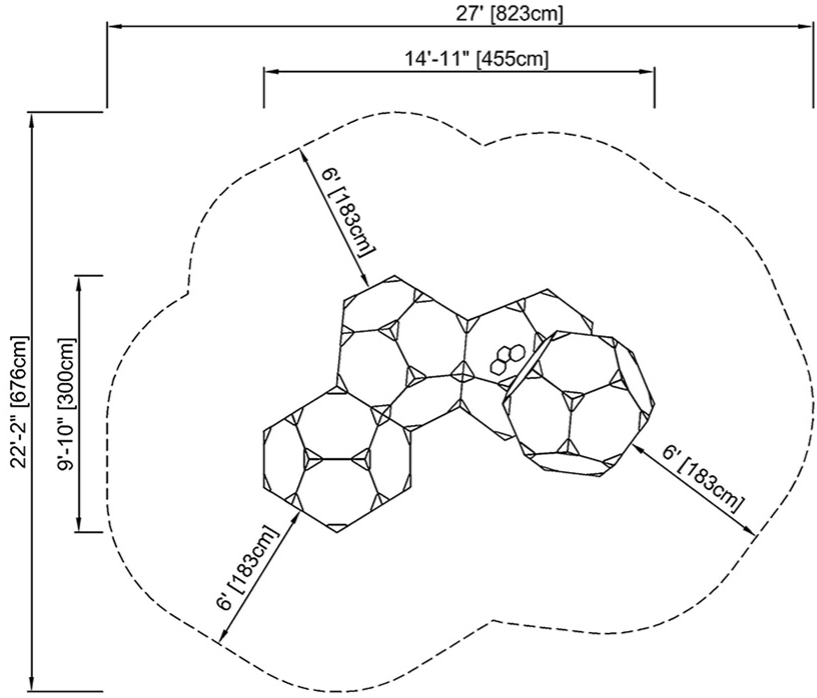
MULE SPRINGER



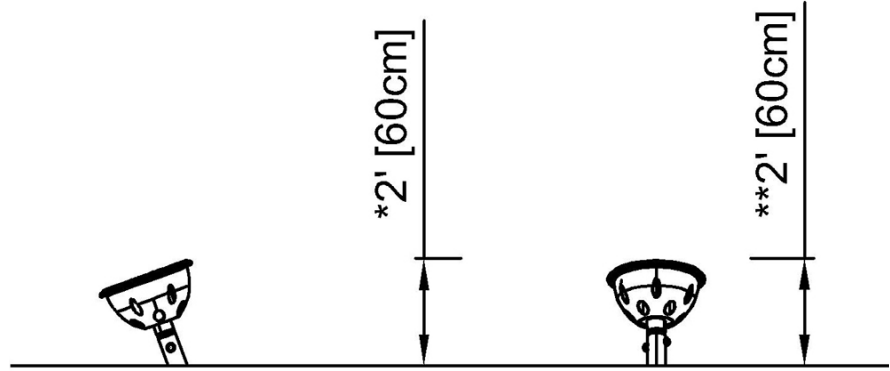
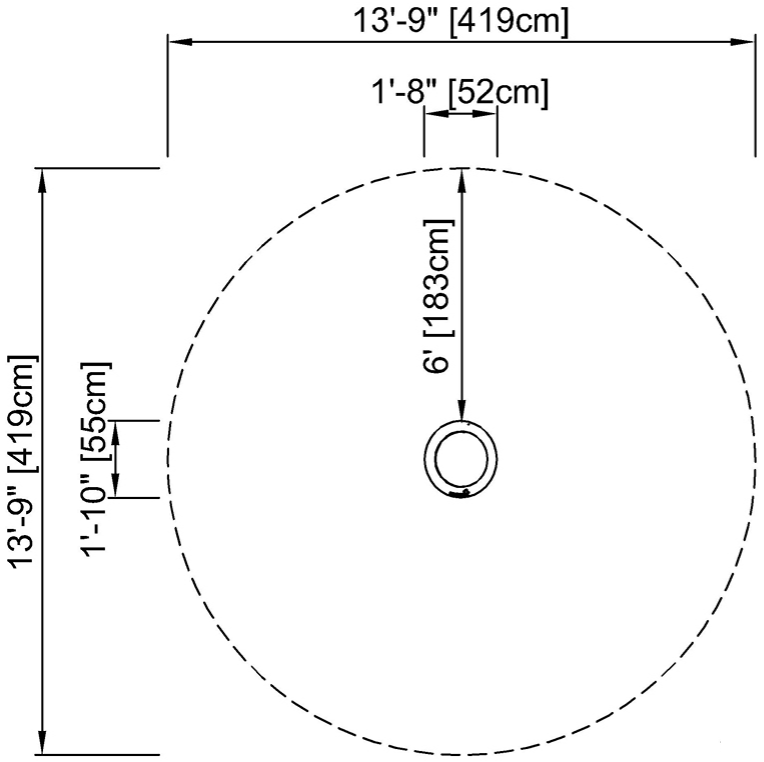
STEPPING POD, 1 AND 2 FT



CHILDREN'S PLAY PRODUCTS



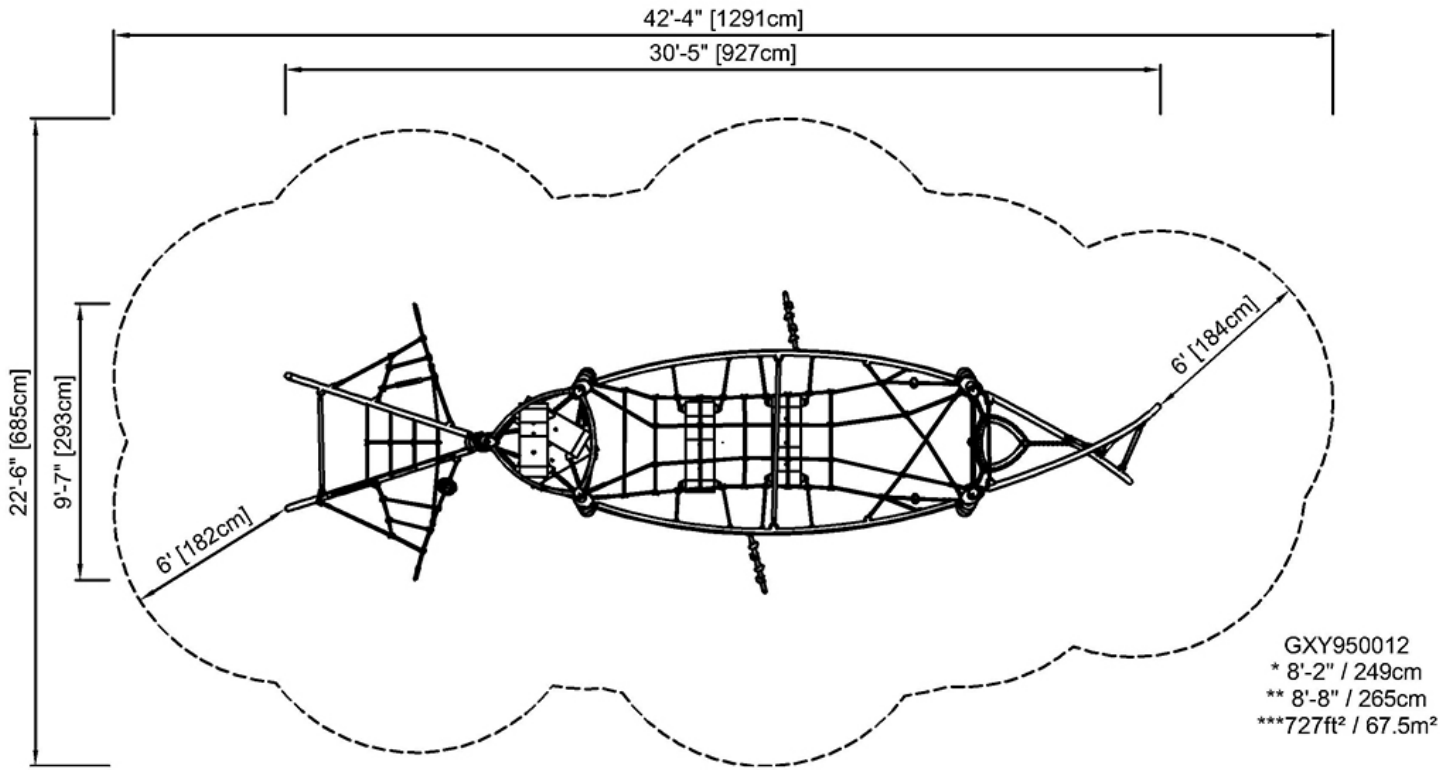
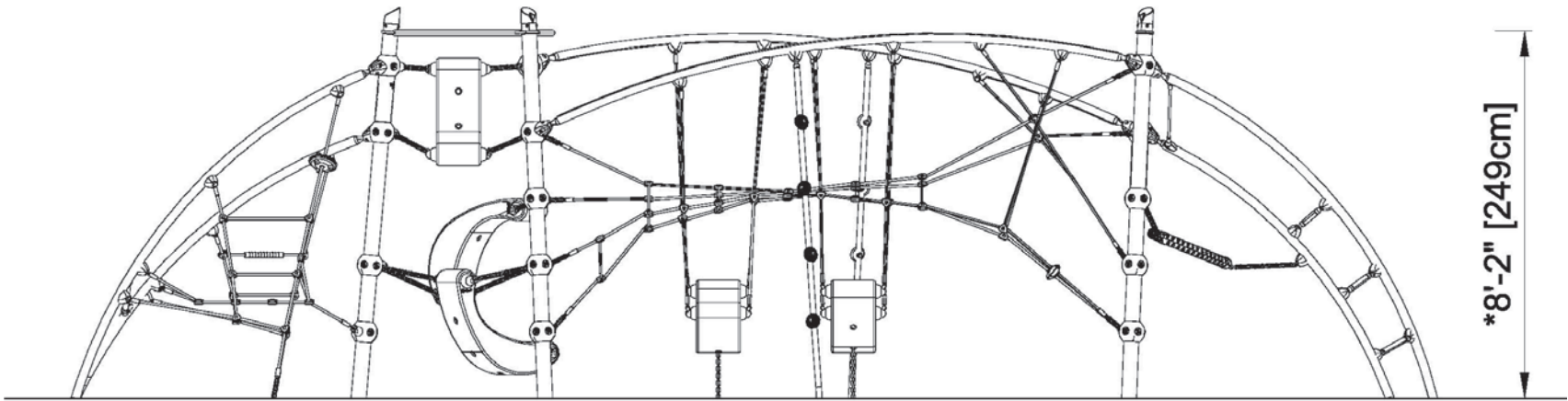
BLOQX 4



SPINNER BOWL

EAST WEST CONNECTOR

CHILDREN'S PLAY PRODUCTS



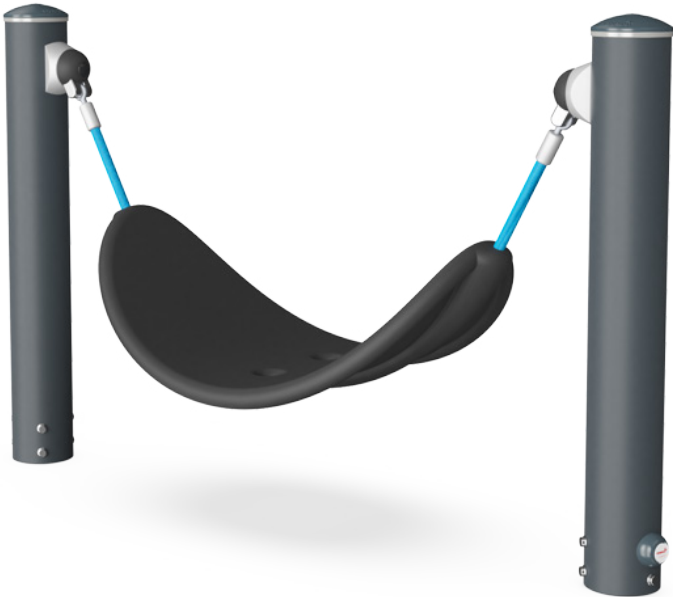
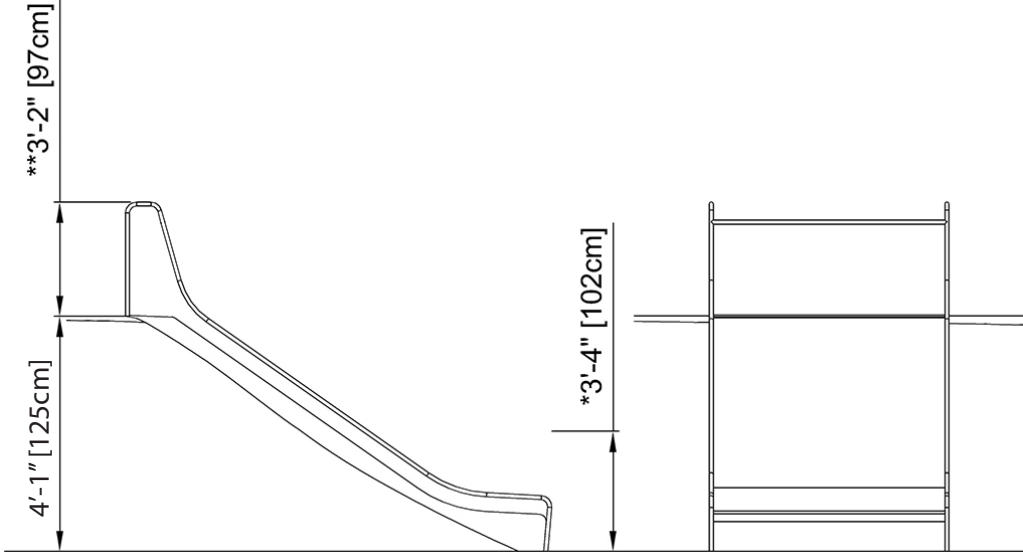
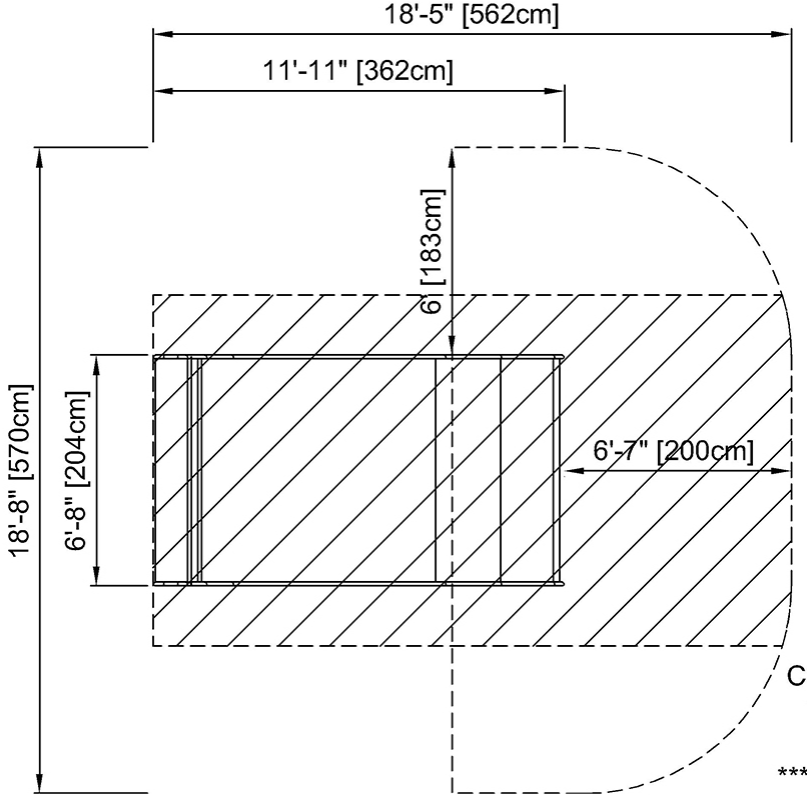
ADARA II

EAST WEST CONNECTOR

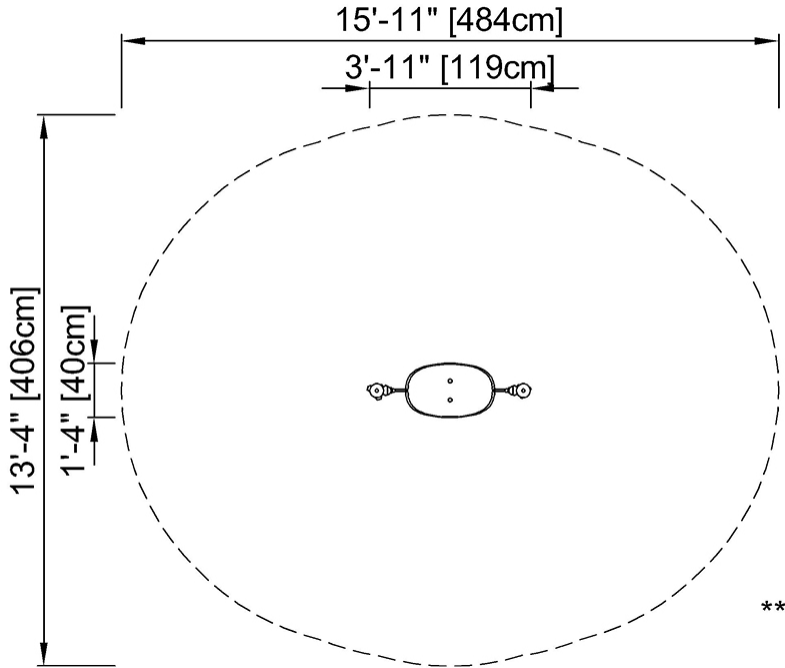
CHILDREN'S PLAY PRODUCTS



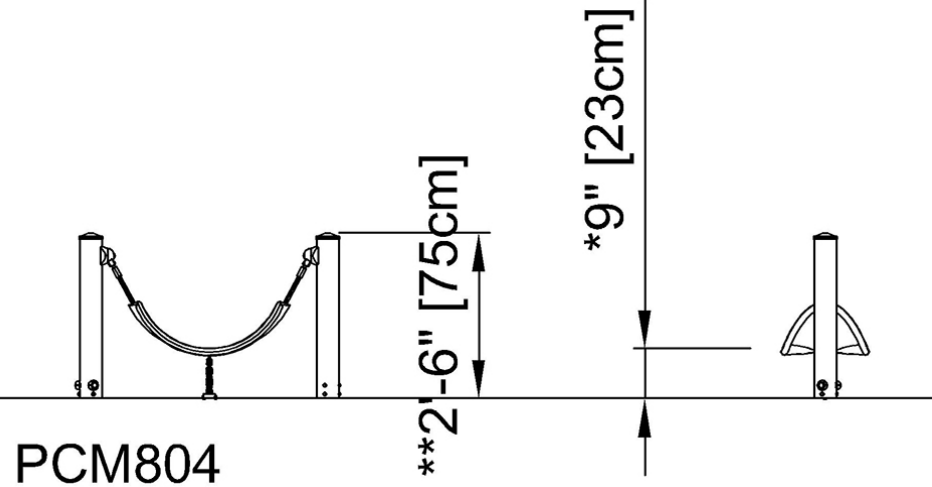
EMBANKMENT SLIDE EXTRA WIDE, 5 FT



MINI HAMMOCK



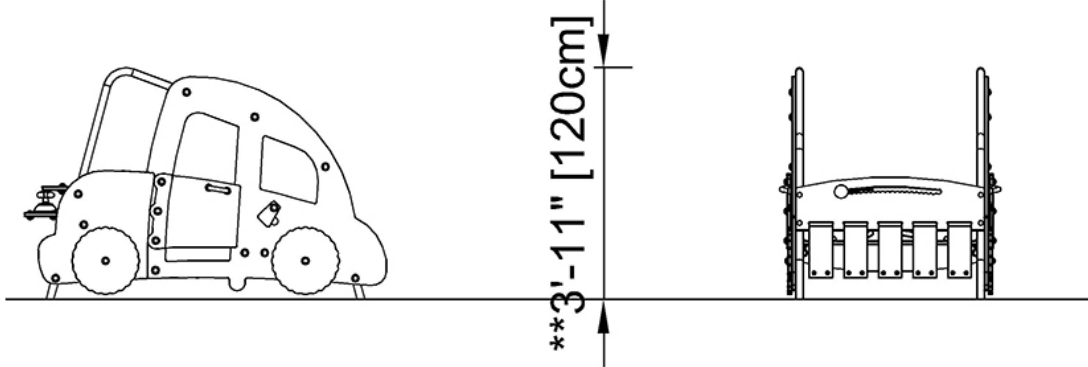
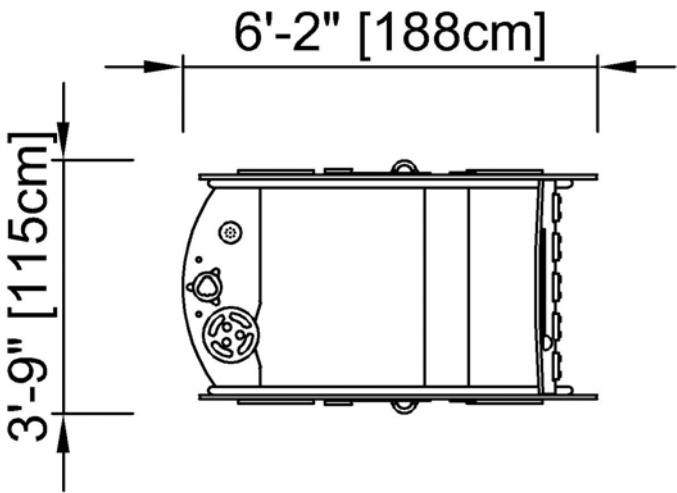
PCM804
 *9" / 23cm
 **2'-6" / 75cm
 ***166ft² / 15.5m



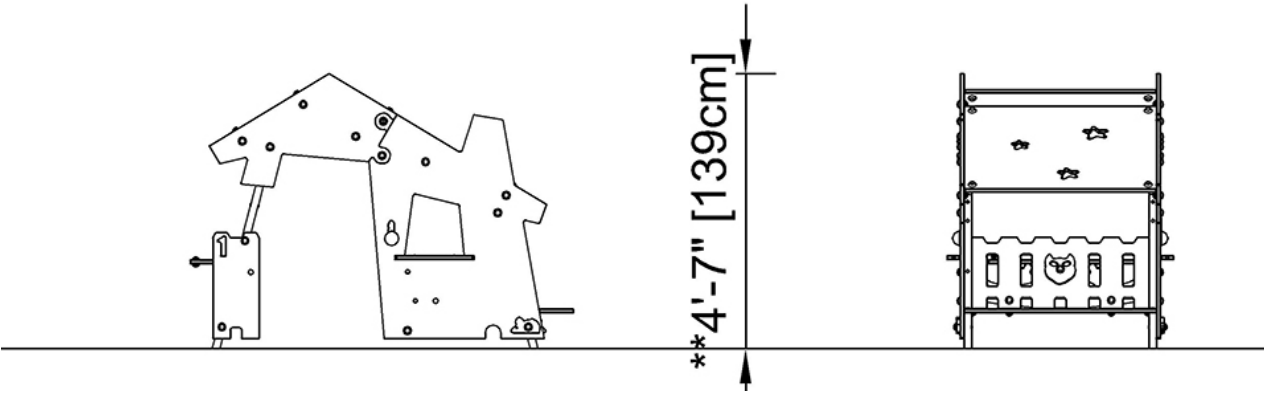
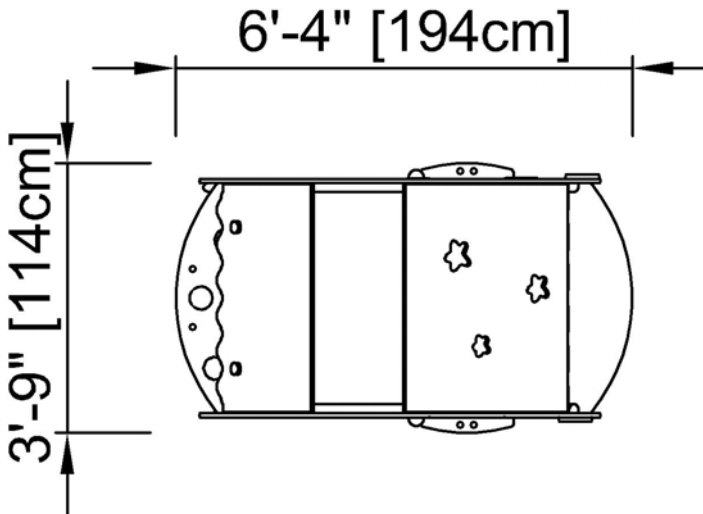
CHILDREN'S PLAY PRODUCTS



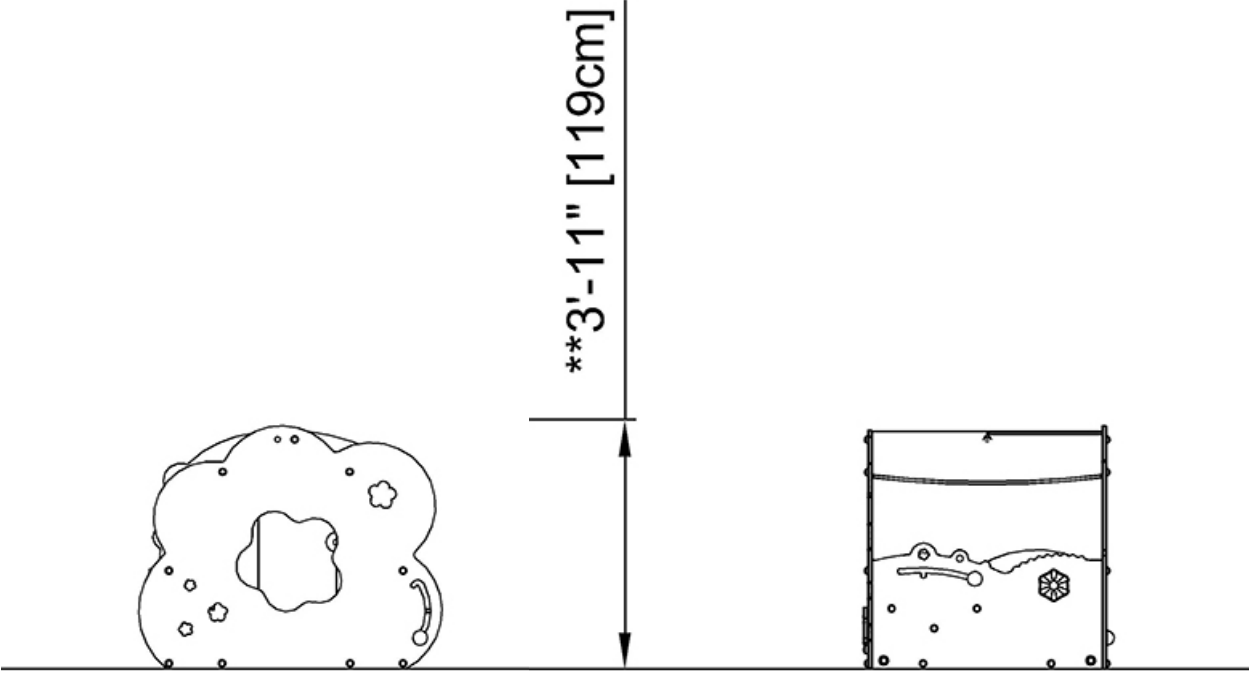
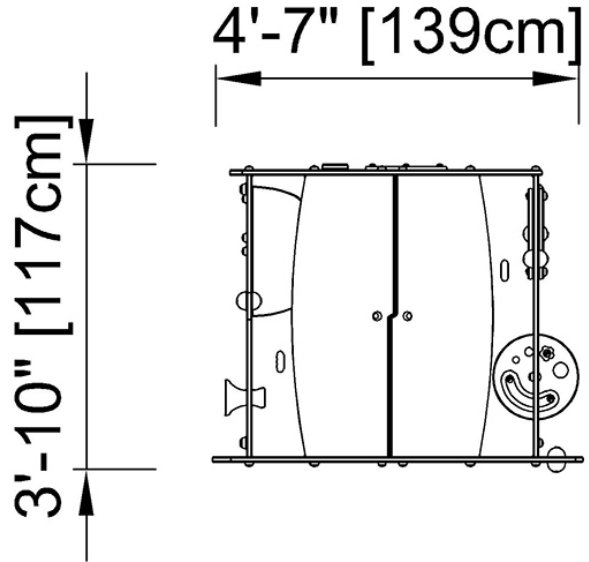
COUPE DELUXE



COTTAGE DELUXE



CHILDREN'S PLAY PRODUCTS



TODDLER FLOWER HOUSE

OUTDOOR FURNITURE



OPTION 1, MMCITE RADIUM BENCH



OPTION 2, MMCITE BLOCQ BENCH

EAST WEST CONNECTOR